

Cleaning Instructions: (Should be performed twice a year)

- While fence is up and fully attached, simply take a bucket of water with mild soap and using a cloth clean mesh and poles.
- Then rinse clean with a hose and spray nozzle attachment.
- Release the tension on the fence by unlatching the safety locks on each section. Do this until all sections are unlocked.
- Remove one section at a time. Using a hose flush out the deck insert until water runs clear. With a damp cloth clean the bottom of each pole.
- Reinsert the section of clean fence back into the deck sleeves.
- Follow these steps for each section until the entire fence is clean.
- Lock all safety latches until fence is secure.

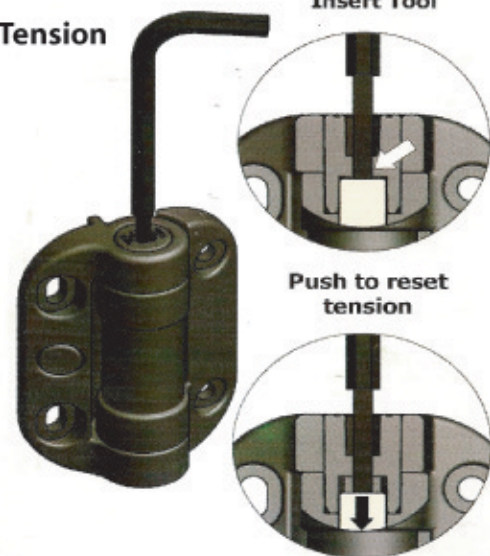
Self Closing Gate Adjustments

Tension Adjustment



- One tension click per hinge at a time
- After each adjustment check for desired gate tension
- Equal amount of tension clicks per hinge if possible
- Maximum FOUR tension clicks per hinge

Release Tension

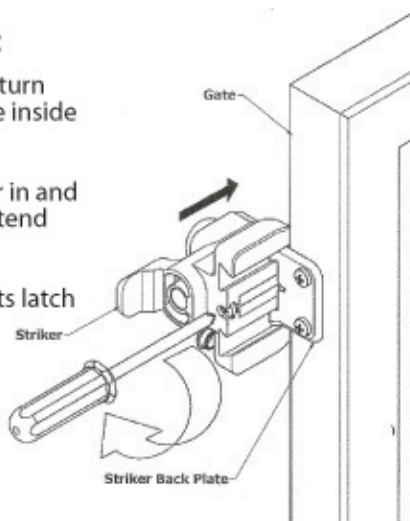


Striker Adjustment

-To adjust striker simply turn adjustment screw on the inside of the striker.

-Clockwise moves striker in and counter clock wise to extend striker.

-Adjust until striker meets latch



Latch Adjustment

- To adjust latch body just remove locking screw cap and unscrew locking screw completely.

- Latch can now slide up and down on track.

- When desired position is acquired replace the locking screw and screw cap.

