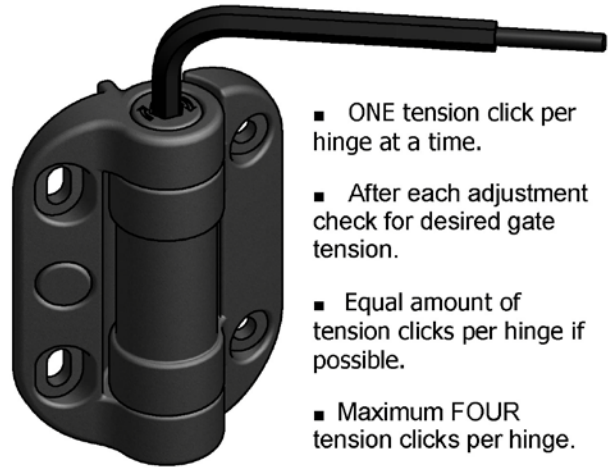
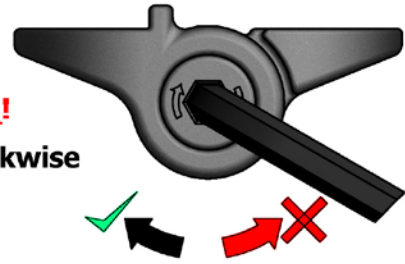




Increase -Tension

Important !

Adjust clockwise only!



Release -Tension

Insert Tool

